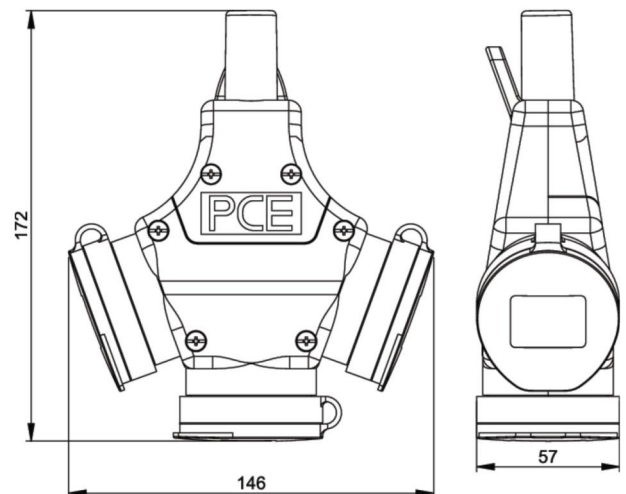


PCE data sheet

article#	25311-sc
article description	3-way connector rubber with cap+shutter
description long	3-Wege Schutzkontaktkupplung Gummi mit Deckel (Deckelband) 16A 2p+E 250V IP44 (nach österr./deutsch. System) Einsatz: Polyamid mit Shutter innenliegende Zugentlastung 3-polige Anschlussklemme für erschwerte Bedingungen Schutzart: IP44
GTIN (EAN)	9003399105661
country of origin	AT
customs number	85366990
net weight	0.365 kg
packaging quantity	5
minimum order quantity	5

ETIM 7.0	EC000379
Number of socket outlets with protective contact	3
Material housing	Plastic
Contact material	CuZn
Surface finish contacts	Nickel-plated
Power supply/connection possibility	Feeder cable with plug
Number of poles mains connection	3
Diameter cable entry	Other
Handling	Hangable
Degree of protection (IP)	IP44
Colour	Other
Height	172 mm
Width	146 mm
Depth	57 mm

wire flexible	1-2,5 mm ²
contact screws	80 Ncm
strain relief	80 Ncm
dismantling length	30 mm
stripping length	7 mm



www.manufacturer-safety.info